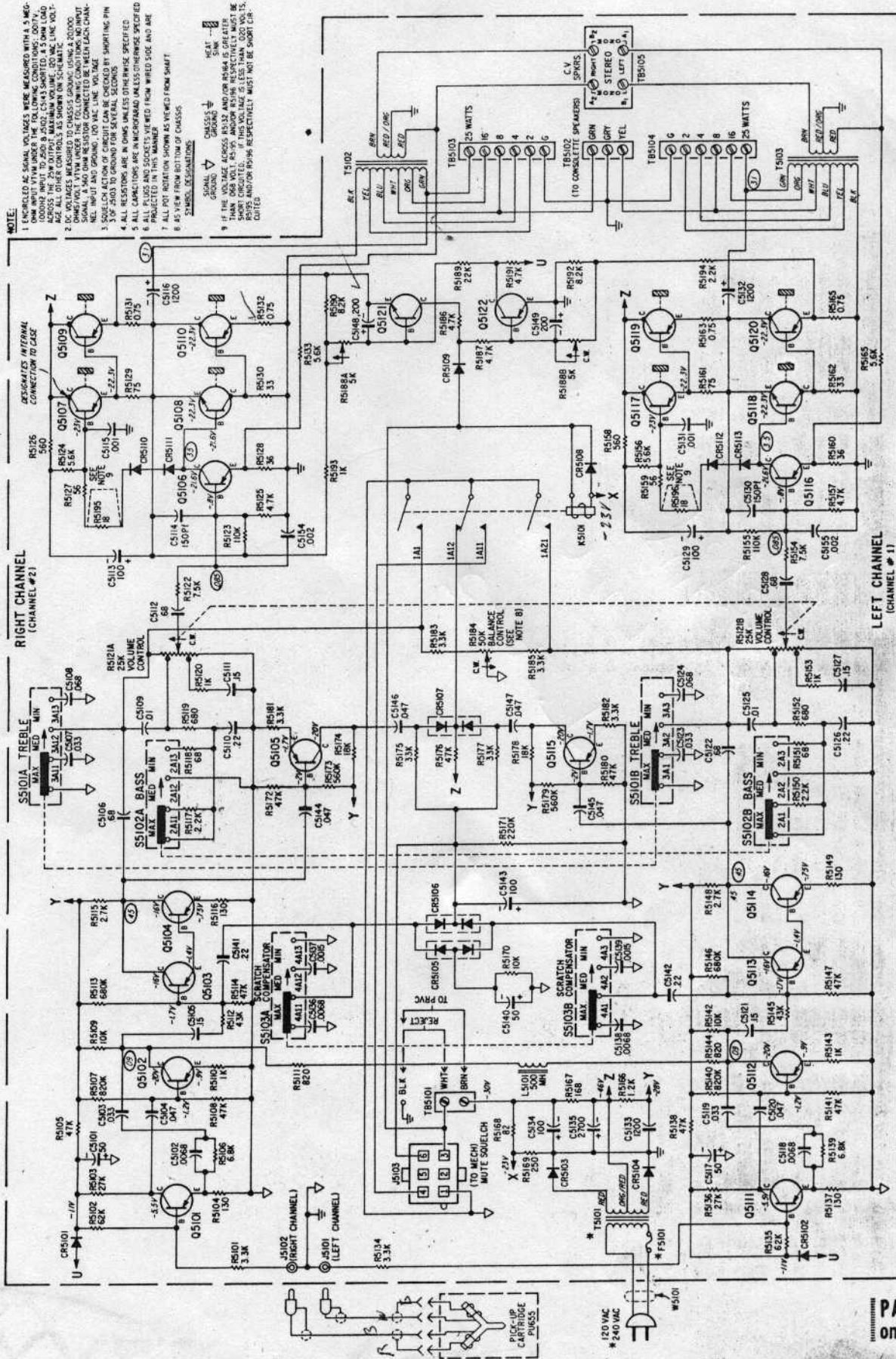


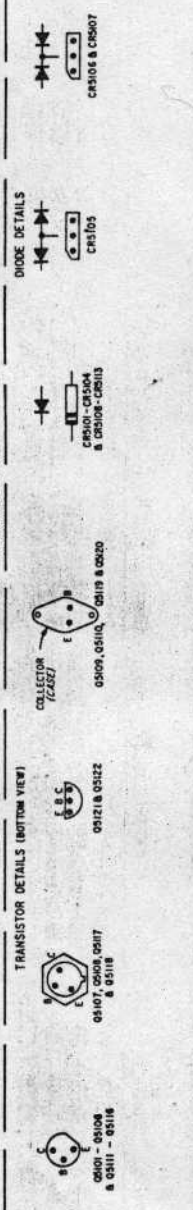
SOLID STATE STEREO AMPLIFIER, Type TSA5 (Code C)

DRAWING No. M-278



**NOTE:**

- 1 DIMENSIONS OF BOARD SPACES WERE MEASURED WITH A 5-MEG OHM INPUT WITH AN INSTRUMENT OF 500 KΩ INPUT IMPEDANCE. MAXIMUM OUTPUT VOLTAGE MEASURED UNDER THESE CONDITIONS IS 10 VOLTS. DC VOLTAGES MEASURED TO GROUND USING A 10000 OHM/VOLTS METER UNDER THE FOLLOWING CONDITIONS: NO INPUT SIGNAL AND GROUND TO MAKE THE METER LEAN CHECK. 3-POLE ACTION OF CIRCUIT CAN BE CHECKED BY SHORTING PIN 3 OF J5103 TO GROUND FOR SEVERAL SECONDS.
- 2 ALL RESISTORS ARE IN OHMS UNLESS OTHERWISE SPECIFIED.
- 3 ALL CAPACITORS ARE IN MICROFARADS UNLESS OTHERWISE SPECIFIED.
- 4 ALL POTENTIOMETERS ARE TO BE WOUND FROM WIRE SIDE AND ARE PROTECTED IN THIS MANNER.
- 5 ALL POTENTIOMETERS ARE TO BE WOUND FROM WIRE SIDE AND ARE PROTECTED IN THIS MANNER.
- 6 AS VIEW FROM BOTTOM OF CHASSIS.
- 7 SYMBOL DESIGNATIONS.
- 8 IF THE VOLTAGE ACROSS R5132 AND/OR R5184 IS GREATER THAN 0.08 VOLT, R5132 AND/OR R5184 RESISTORS RESPECTIVELY MUST BE CHECKED IN THIS MANNER.
- 9 R5132 AND/OR R5184 RESISTORS RESPECTIVELY MUST NOT BE SHORT CIRCUITED.



PARTS LIST on Reverse Side

