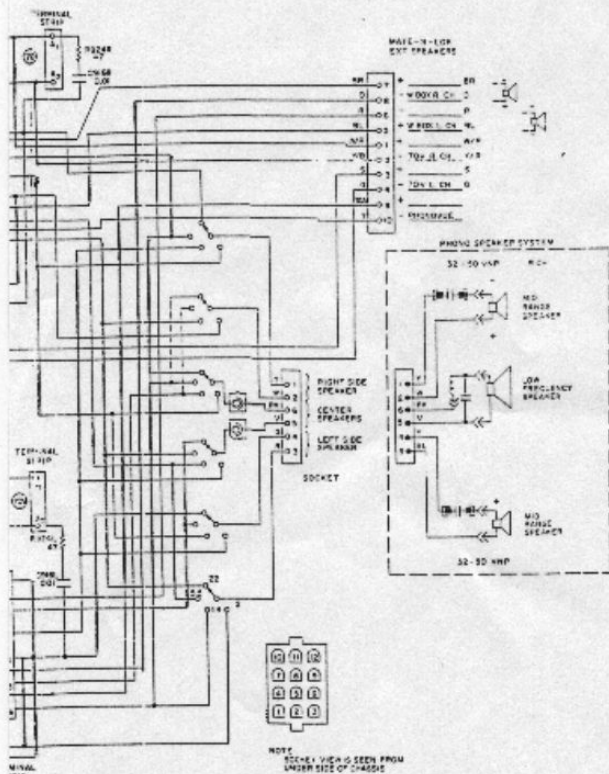


Fig. and Index No.	Rowe Part No.	DESCRIPTION	Qty. Per Assy
26-	601-04359	Power Amplifier Assembly 50W, MM4 (See Figure2, Item 4)	REF
1	200-00185	. Tube, Electron, 5U4GB (V1)	1
2	200-02633	. Tube, Electron, 12AX7A (V2, V5)	2
3	200-09414	. Tube, Electron, 7868 (V3, V4, V6, V7)	4
4	701-00721	. Fuse, Cartridge, 2-AMP, MDL (F901)	1
5	701-00726	. Fuse Holder	1
6	200-14562	. Guard, Amplifier	1
7	200-10183	. Bracket, Mounting	1
8	705-00931	. Clamp, Cable	1
9	400-05956	. Transformer, Power	1
10	400-05955	. Transformer, Audio Output	2
11	200-12105	. Terminal Strip	2
12	301-06303	. Connector Assembly	1
13	301-06502	. Cable Assembly	1
14	701-02331	. Bushing, Insulating	1
15	706-00500	. Cord and Plug	1
16	701-02321	. Strain Relief	1
17	200-08079	. Handle	1
18	233-09611	. Capacitor, Electrolytic, 80 MFD, 450V (C902)	1
19	200-09618	. Capacitor, Electrolytic, 30/30/30 MFD, 450V (C903/C904/C905)	1
20	200-02649	. Nut, 3/8-inch	1
21	301-06305	. Connector and Switch Assembly	1
22	201-13877	. Combo Plug Assembly	1
23	200-12453	. Relay	1
24	719-00233	. Capacitor, Electrolytic, 100 MFD, 50V (C906)	1
25	708-00231	. Capacitor, Electrolytic, 4 MFD, 450V (C901)	1
26	711-00233	. Capacitor, Electrolytic, 500 MFD, 25V (C908, C909)	2
27	712-00233	. Capacitor, Electrolytic, 500 MFD, 50V (C907)	1
28	722-00210	. Capacitor, Tubular, 0.047MFD, 600V (C914L, C914R, C915L, C915R)	4
29	706-00223	. Capacitor, Ceramic Disc, 0.01 MFD, 500V (C912L, C912R, C916L, C916R)	4
30	703-00222	. Capacitor, Ceramic Disc, 0.02 MFD, 500V (C913L, C913R)	2
31	701-00213	. Capacitor, Mylar, 0.1 MFD, 400V (C910)	1
32	708-00222	. Capacitor, Ceramic Disc, 0.00022 MFD, 500V (911L, C911R)	2
33	713-00102	. Resistor, Carbon, 10K, 1/2W (R907)	1
34	720-00109	. Resistor, Carbon, 10 ohms, 1/2W (R923L, R923R)	2
35	711-00103	. Resistor, Carbon, 1K, 1W (R902, R903)	2
36	724-00107	. Resistor, Carbon, 22 ohms, 1/2W (R909)	1
37	722-00102	. Resistor, Carbon, 100 ohms, 1/2W (R919L, R919R, R920L, R920R)	4
38	712-00106	. Resistor, Carbon, 100K ± 5%, 1/2W (R911L, R911R, R916L, R916R, R922L, R922R)	6
39	720-00107	. Resistor, Carbon, 3.3K, 1/2W (R915L, R915R)	2
40	706-00102	. Resistor, Carbon, 1 MEG, 1/2W (R912L, R912R, R914L, R914R)	4
41	705-00104	. Resistor, Carbon, 1.5K, 1/2W (R925L, R925R)	2
42	712-00102	. Resistor, Carbon, 330K, 1/2W (R921L, R921R)	2
43	723-00120	. Resistor, Carbon, 20K ± 5%, 1/2W (R906)	1
44	716-00107	. Resistor, Carbon, 22K ± 5%, 1/2W (R905)	1
45	704-00107	. Resistor, Carbon, 270K, 1/2W (R917L, R917R, R918L, R918R)	4
46	708-00102	. Resistor, Carbon, 18K, 1/2W (R910L, R910R)	2
47	721-00104	. Resistor, Carbon, 47 ohms, 1/2W (R924L, R924R)	2
48	704-00109	. Resistor, Carbon, 82 ohms, 1/2W (R913L, R913R)	2
49	708-00121	. Resistor, Carbon, 1.6K ± 5%, 1/2W (C926L, C926R)	2
50	718-00104	. Resistor, Carbon, 6.8K, 1/2W (R904)	1
51	710-00114	. Resistor, Wirewound, 20K, 10W (R901)	1
52	710-00113	. Resistor, Wirewound, 100 ohms ± 5%, 2W (R926)	1
53	722-00113	. Resistor, Wirewound, 220 ohms, 2W (R908)	1
54	718-00355	. Zener Diode, 24V ((Z901)	1
55	702-00350	. Diode, Silicon, 1A (D901, D902, D903)	3
56	703-00931	. Clamp, Cable	1
57	601-04368	. Chassis Assembly with Lettering	1

TI-1

50W HYBRID AMPLIFIER SCHEMATIC DIAGRAM



WAVE COLOR CHART

WL	BLACK	W	WHITE
04	WOODRUM	0-W	GREEN-WHITE
0	BLACK	0-L-W	BLUE-WHITE
1	WOODRUM	01-W	WOODRUM-WHITE
2	SLATE	0-L-Y	RED-YELLOW
3	YELLOW	0-B	RED-BLACK
4	GREEN	0-B-G	RED-GREEN
4	RED		

D.C. VOLTAGE READINGS

V	TESTER	WAVE	DC VOLTS	150 VOLTS	300 VOLTS	450 VOLTS	600 VOLTS
V1	7047-RODS	02	0	0	0	0	0
V2	7045	02	-0.7	0		-0.2	0.70
V3	7304	02	0	0		-0.2	0.70
V4	7047-RODS	02	0	0		0	0
V5	7048	02	-0.2	0		-0.2	0.70
V6	7048	02	-0.2	0		-0.2	0.70

NOTES

1. D.C. VOLTS ARE MEASURED TO CHASSIS GROUND & TO 500 OHMS PER VOLT METER WITH NO SIGNAL INPUT UNLESS OTHERWISE INDICATED.
2. LINE VOLTAGE IS 100 VOLTS.
3. D.C. MEASUREMENTS TAKEN WITH NO OTHER UNIT CONNECTED.
4. SIGNAL LEVELS ARE INDICATED (0 V) AND ARE MEASURED TO GROUND (WAVEFORM E.E. VIEW WITH SIGNAL INPUT INDICATED).
5. CAPACITANCE 5% UNLESS OTHERWISE INDICATED.
6. RESISTANCE 5% UNLESS OTHERWISE INDICATED.
7. CAPACITOR VOLTAGE RATING 200 V MINIMUM UNLESS OTHERWISE INDICATED.
8. RESISTORS ARE 1% TOL. & 5% TOL. UNLESS OTHERWISE INDICATED.
9. POWER LEVEL SWITCH SHOWN IN MAXIMUM POWER POSITION.

4-0864-1-1 (2)

Refer to Parts Catalog Figure 26 for part number and description of parts shown on this diagram.

FIGURE 6-6. 50W HYBRID AMPLIFIER SCHEMATIC DIAGRAM