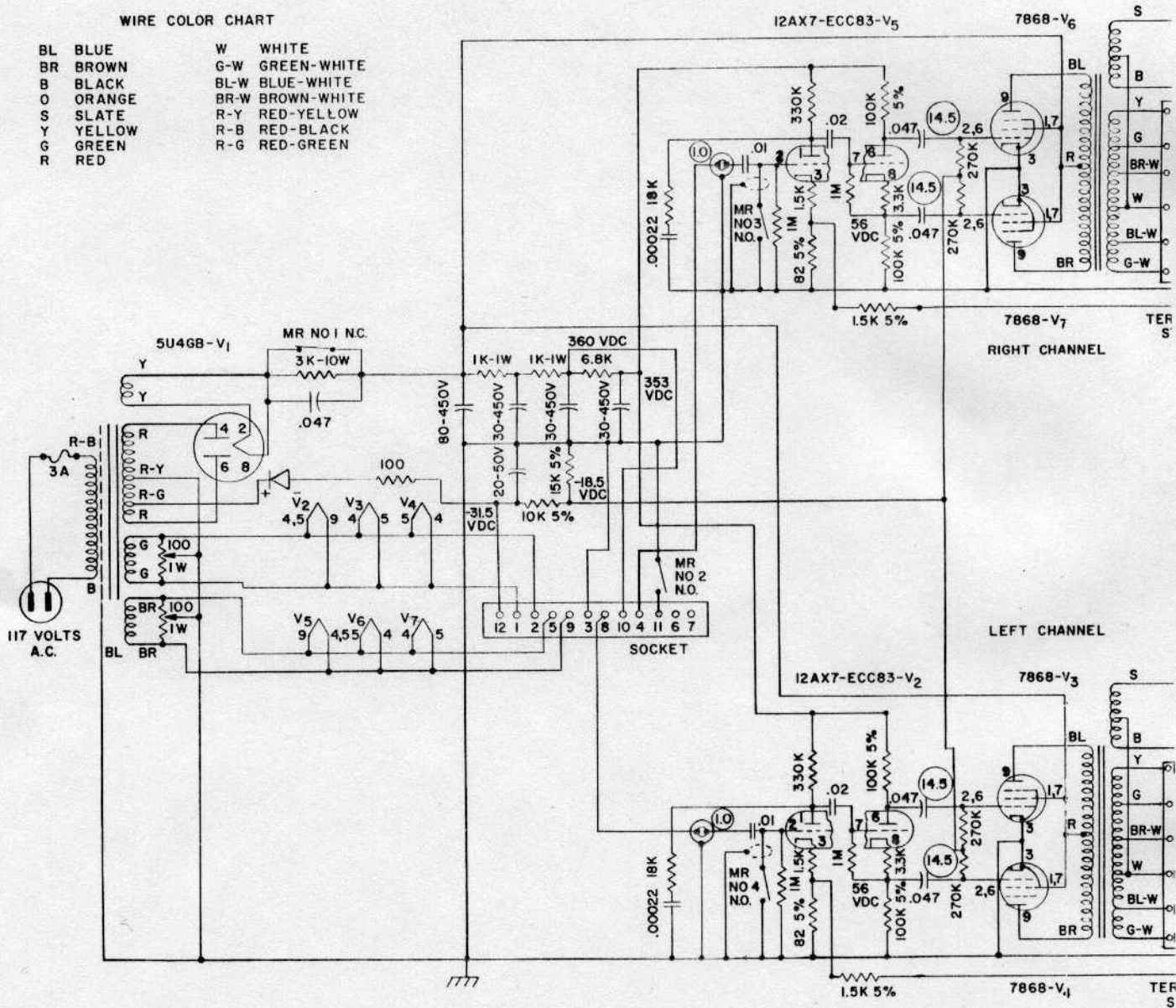


## R-2620 STEREO POWER AMPLIFIER SCHEMATIC DIAGRAM

### WIRE COLOR CHART

BL BLUE	W WHITE
BR BROWN	G-W GREEN-WHITE
B BLACK	BL-W BLUE-WHITE
O ORANGE	BR-W BROWN-WHITE
S SLATE	R-Y RED-YELLOW
Y YELLOW	R-B RED-BLACK
G GREEN	R-G RED-GREEN
R RED	



### NOTE:

UNLESS OTHERWISE INDICATED, D.C. VOLTAGES ARE MEASURED TO CHASSIS WITH AT 20,000 OHMS PER VOLT METER WITH NO SIGNAL INPUT.

LINE VOLTAGE TO BE 117 VOLTS.

D.C. MEASUREMENTS TAKEN WITH NO OTHER UNIT PLUGGED INTO THE R-2620.

SIGNAL VOLTAGES ARE ENCIRCLED (1.0 V) AND ARE MEASURED TO

GROUND WITH AN A.C. V.T.V.M.

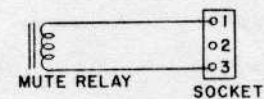
SIGNAL INPUT TO BE 1,000 C.P.S.

CAPACITANCE IS IN MFD. UNLESS OTHERWISE INDICATED.

RESISTANCE IS IN OHMS UNLESS OTHERWISE INDICATED.

CAPACITOR VOLTAGE RATINGS 500V MINIMUM UNLESS OTHERWISE INDICATED.

RESISTORS ARE 1/2 WATT AND ± 10% TOLERANCE UNLESS OTHERWISE INDICATED.



V <sub>1</sub>	5U4GB
V <sub>2</sub>	12AX7-ECC83
V <sub>3</sub>	7868
V <sub>4</sub>	7868
V <sub>5</sub>	12AX7-ECC83
V <sub>6</sub>	7868
V <sub>7</sub>	7868