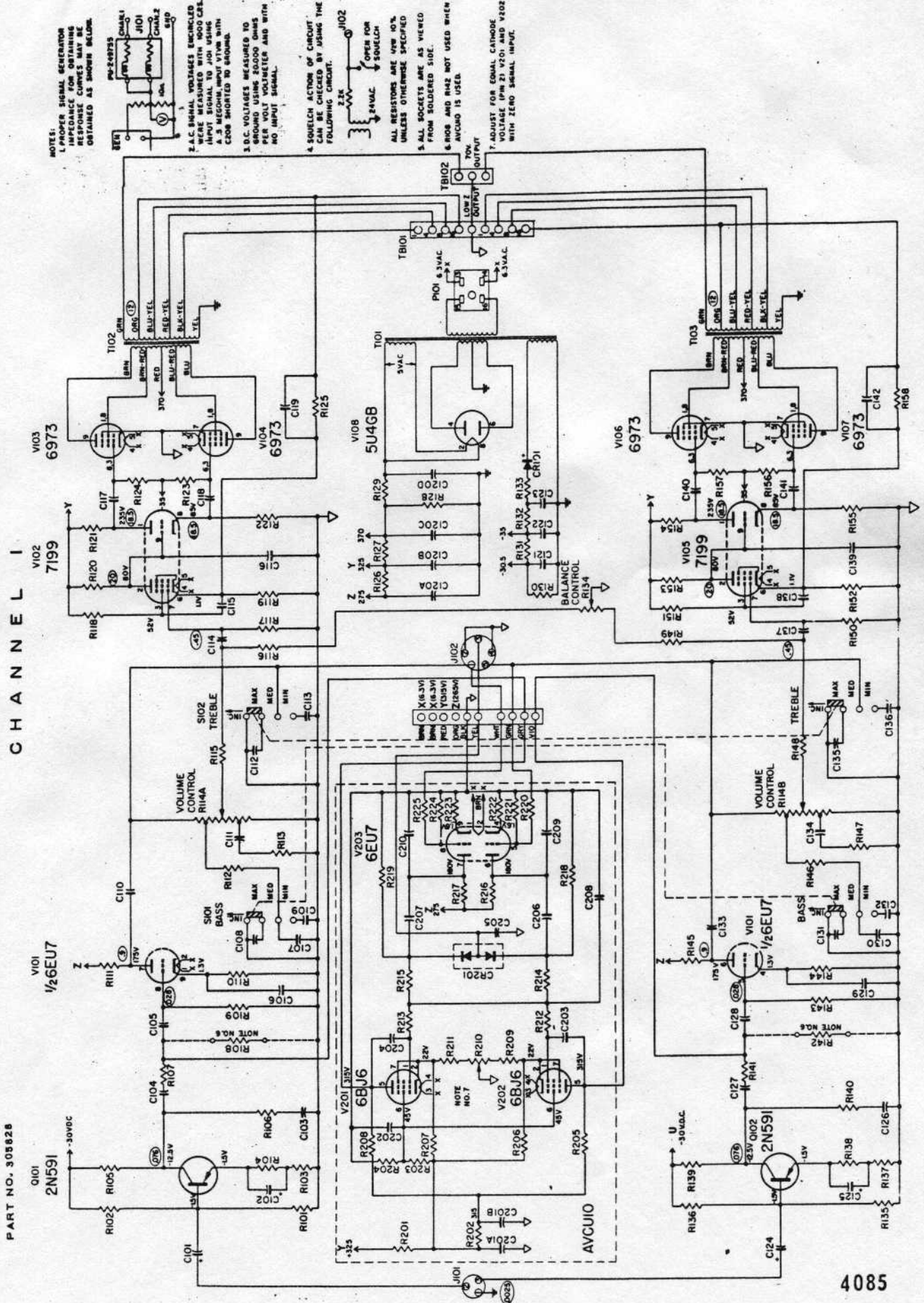


# STEREO HIGH FIDELITY AMPLIFIER, Type SHFA3



- NOTE:**  
 1. AC SIGNAL GENERATOR IMPEDANCE FOR OBTAINING RESPONSE CURVES MAY BE OBTAINED AS SHOWN BELOW.
2. A.C. SIGNAL VOLTAGES ENCIRCLED WERE MEASURED WITH 1000 OHM INPUT SIGNAL TO J101 USING A .5 MEGOHM RESISTOR WITH COIL SHORTEED TO SIGNAL.
3. D.C. VOLTAGES MEASURED TO GROUND USING 20000 OHMS PER VOLT VOLTMETER AND WITH NO INPUT SIGNAL.
4. SQUELCH ACTION OF CIRCUIT CAN BE CHECKED BY USING THE FOLLOWING CIRCUIT.
5. ALL RESISTORS ARE 1/4W 10% UNLESS OTHERWISE SPECIFIED.
6. R108 AND R142 NOT USED WHEN AVCMND IS USED.
7. ADJUST FOR EQUAL CATHODE VOLTAGE (PIN 2) V201 AND V202 WITH ZERO SIGNAL INPUT.

CHANNEL 1

CHANNEL 2

PART NO. 305828

