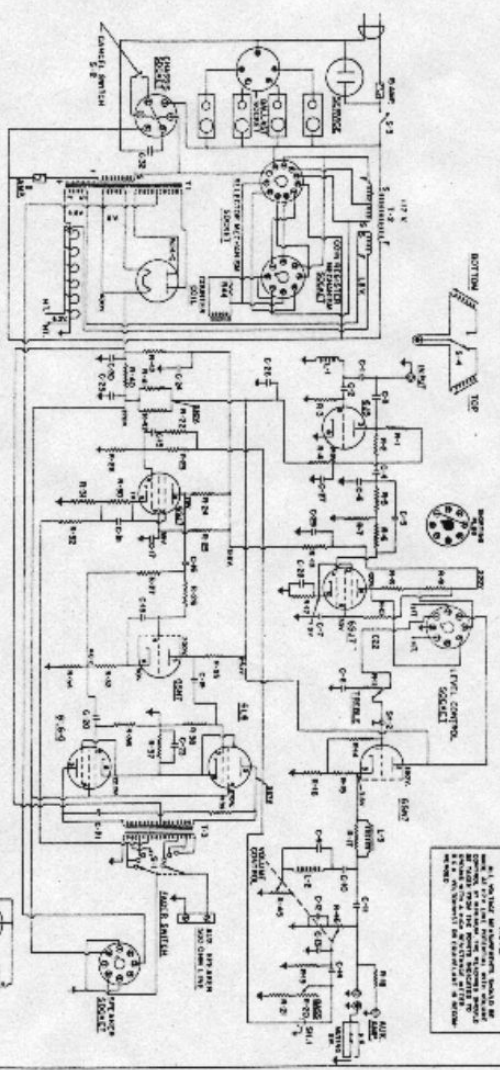
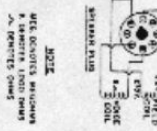


SOUND SYSTEM 514 MODEL - 60 CYCLE



NOTE  
 5Y4 TUBE FILAMENT SHOULD BE CONNECTED TO EITHER THE 115V AC LINE OR THE 250V AC LINE THROUGH THE 100 OHM RESISTOR. THE 250V AC LINE SHOULD NOT BE USED UNLESS THE 100 OHM RESISTOR IS INSTALLED IN THE LINE.



ITEM NO.	DESCRIPTION	QTY.	ITEM NO.	DESCRIPTION	QTY.	ITEM NO.	DESCRIPTION	QTY.	ITEM NO.	DESCRIPTION	QTY.
1	5Y4 RECTIFIER TUBE	1	11	6X4 POWER OUTPUT TUBE	1	21	6AV6 AUDIO AMPLIFIER TUBE	1	31	500K OHM RESISTOR	1
2	6X4 POWER OUTPUT TUBE	1	12	6AV6 AUDIO AMPLIFIER TUBE	1	22	100K OHM RESISTOR	1	32	50K OHM RESISTOR	1
3	6AV6 AUDIO AMPLIFIER TUBE	1	13	500K OHM RESISTOR	1	23	100K OHM RESISTOR	1	33	10K OHM RESISTOR	1
4	500K OHM RESISTOR	1	14	100K OHM RESISTOR	1	24	10K OHM RESISTOR	1	34	100 OHM RESISTOR	1
5	100K OHM RESISTOR	1	15	10K OHM RESISTOR	1	25	100 OHM RESISTOR	1	35	100 OHM RESISTOR	1
6	10K OHM RESISTOR	1	16	100 OHM RESISTOR	1	26	100 OHM RESISTOR	1	36	100 OHM RESISTOR	1
7	100 OHM RESISTOR	1	17	100 OHM RESISTOR	1	27	100 OHM RESISTOR	1	37	100 OHM RESISTOR	1
8	100 OHM RESISTOR	1	18	100 OHM RESISTOR	1	28	100 OHM RESISTOR	1	38	100 OHM RESISTOR	1
9	100 OHM RESISTOR	1	19	100 OHM RESISTOR	1	29	100 OHM RESISTOR	1	39	100 OHM RESISTOR	1
10	100 OHM RESISTOR	1	20	100 OHM RESISTOR	1	30	100 OHM RESISTOR	1	40	100 OHM RESISTOR	1

ISSUE 1 1400-1450 PART NO. 55277

1400 1450  
 Fig. 53 - Model 514 Amplifier Schematic  
 Wiring Diagram  
 Page 33